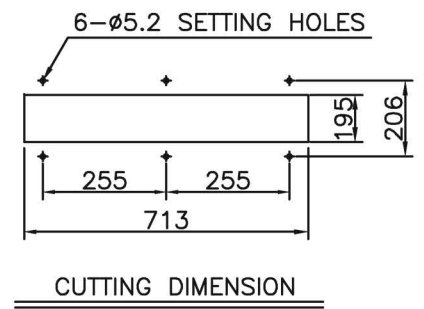
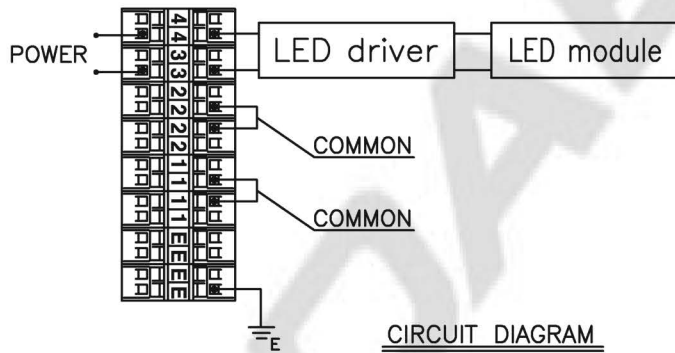
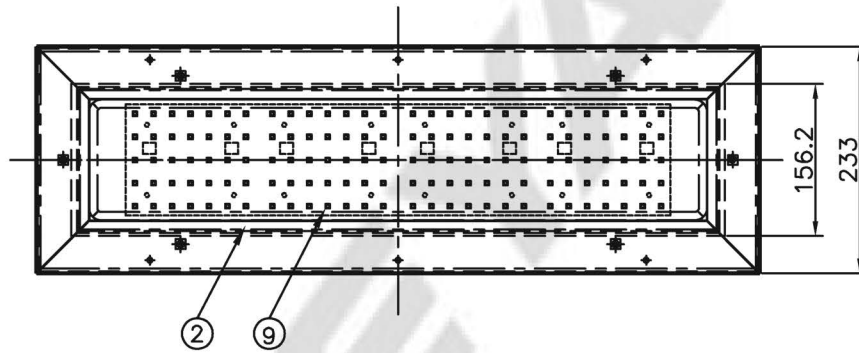
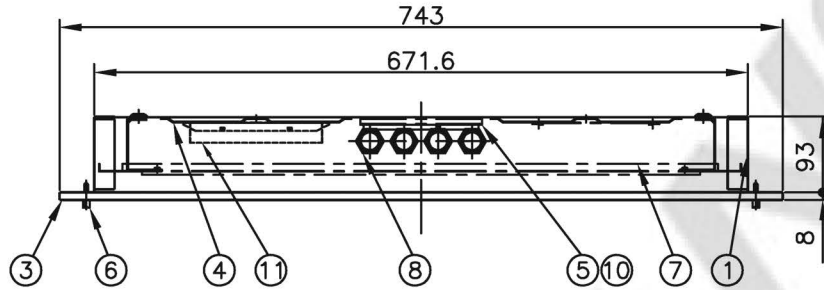


CAPACITY	SYMBOL/ SERIAL NO.	CIRCUIT DIAGRAM
AC 100~240V, 50/60Hz		
24W		



					6	COVER BOLT	BRASS	6	
11	LED driver	-	1	DLD-24025-WSN	5	TERMINAL BLOCK BKT	STEEL	1	
10	TERMINAL BLOCK	NYLON	1	CLAMPING 8P	4	LED driver BKT	STEEL	1	
9	LED module	-	1	5,000K±300	3	GLOBE FRAME	ALUMINUM	1	
8	CABLE GLAND	NYLON	4	PG16 (8~12mm)	2	GLOBE	ACRYL	1	
7	REFLECTOR	STEEL	1		1	BODY	STEEL	1	
NO	NAME OF PARTS	MATERIAL	Q'TY	REMARKS	NO	NAME OF PARTS	MATERIAL	Q'TY	REMARKS

APPROVED	B. K. KIM	UNIT	MM
CHECKED	J. W. PARK	SCALE	N/S
DRAWING	M. S. KANG	COLOR	N-9.3
DATE	2016.04.18	IP	44

TITLE;			
LED CEILING LIGHT (FLUSH TYPE) FOR MARINE USE			

		MODEL NO.	LEB124WF-0550SQC30-WG	WEIGHT	5.59kg
		DWG NO.	LO1350026	SHEET NO.	1